

SimFlame

LM551 – 5 Channel Simulated Flame Module

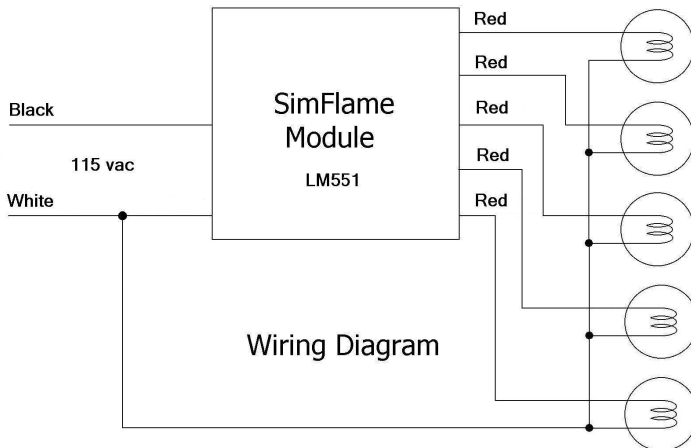
SimFlame Lamp Flicker Module

visit – www.simflame.com for additional information

Model: LM551

Features:

- Non-repeating flame effect.
- 5 independent lamp output channels.
- 8 Flame effect settings.
- 60 Watts per channel max.
- Selectable Normal, By-Pass or Stealth operation.
- Seed starting number easily changed.
- Can be safely handled while operating.
- Low power consumption.
- Operates on 100 – 130 VAC @ 60 cycles.
- Fireproof epoxy encased.
- 1 Year warranty.



Switch Settings:

Switch #1 – depth of flicker:

- a) down = subtle
- b) up = deep

Switch #2 – speed of flicker:

- a) down = slow
- b) up = fast

Switch #3 – average intensity:

- a) down = dim
- b) up = bright

Switch #4 – channel operation:

- a) down = independent
- b) up = same

Switch #5 – option 1:

- a) down = normal
- b) up = By-Pass

Switch #6 – option 2:

- a) down = normal
- b) up = Stealth

Option Switches:

| <u>Operation</u> | <u>Switch #5</u> | <u>Switch #6</u> |
|------------------|------------------|------------------|
| Normal | down | down |
| By-Pass | up | down |
| Stealth | down | up |
| Seed change | up | up |

Operation:

Normal mode – lamps will always flicker when powered.

By-Pass mode – lamps flicker normal when first powered, briefly interrupt power to bring lamps to full brightness.

Stealth mode – lamps are at full brightness when first powered, briefly interrupt power for lamps to flicker normal.

The module must remain unpowered for 5 or more seconds to reset all operation conditions. Switches 5 and 6 are only read when module is first powered.

Seed Number Change:

To change the seed numbers – switches 5 and 6 must be up (or on), power the module normally, after operating the module for a short time, briefly interrupt the power, the lamps will cycle on then off one at a time indicating the process was successful then return to normal flicker, power module off then set switches 5 and 6 to desired settings.

Disclaimer and Warranty

Jerry's Electronics LLC warrants all Simflame™ products to be free of functional defects, assuming proper application and normal use, for a period of one (1) year from date of purchase. The company will correct such defects by repair or replacement, at its option, if product is returned prepaid with proof of original purchase date. Please note that defects resulting from miswire, short circuit or output overload may be verified by factory tests and are specifically excluded from warranty.

Except for the express warranty set forth above, Jerry's Electronics LLC grants no other warranties, express or implied, by statute or otherwise, regarding Simflame products, their merchantability, fitness for any particular purpose or otherwise. In no event shall Jerry's Electronics LLC or any agent or reseller be liable for any other loss or damage, including special or consequential damages that may arise through the use by a purchaser or others, and the purchaser assumes and will hold Jerry's Electronics LLC harmless in respect of all such loss.